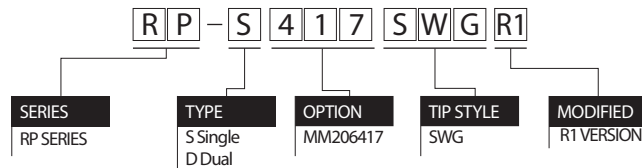


**PART NUMBER DESCRIPTION**



**MATERIAL AND FINISH**

	MATERIAL	FINISH
CENTER CONTACT	BERYLLIUM COPPER	10μ" GOLD
	BRASS	10μ" GOLD
INSULATOR	PTFE	WHITE
OUTER CONTACT	PHOSPHOR BRONZE	10μ" GOLD
	BRASS	10μ" GOLD

**MECHANICAL**

	TESTING CONDITION	SPECIFICATIONS
FORCE TO ENGAGE	N/A	19 N max. (SMPM)
FORCE TO DISENGAGE	N/A	29 N max (SMPM)
CONTACT RETENTION	60mm/min	7 N max (SMPM)
MAXIMUM COMPRESSION	N/A	2.2mm
DURABILITY	N/A	250K cycles

**ELECTRICAL**

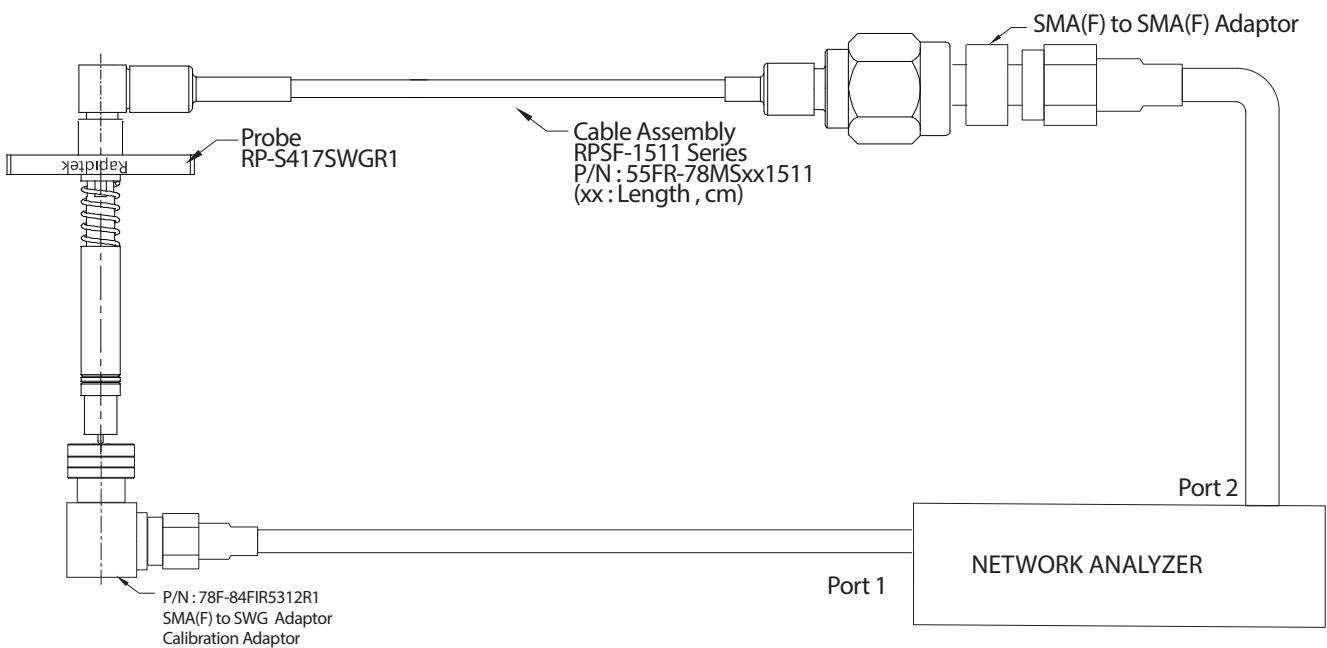
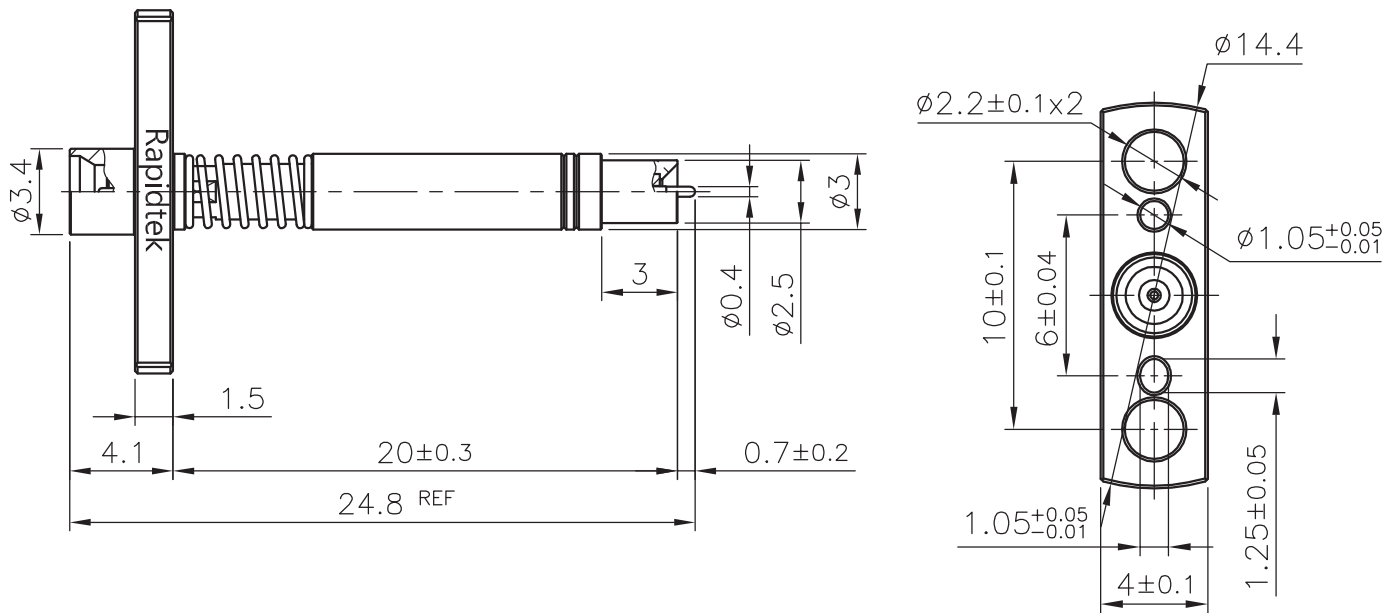
	TESTING CONDITION	SPECIFICATIONS
IMPEDANCE	DC to 6 GHz	50 Ω
VSWR	DC to 3 GHz	1.3 max
	3 to 6 GHz	1.4 max



**RAPIDTEK**  
**RF COAXIAL PROBE**

Rapidtek Magnetic Devices Inc.  
<http://www.rapidtek.net>  
 Tel : 02 - 8698 - 1068  
 Fax : 02 - 8698 - 1018  
 17F, No.75, Sec. 1, Xintai 5th Rd., Xizhi Dist., New Taipei City 22101, Taiwan

### STANDARD DIMENSIONS



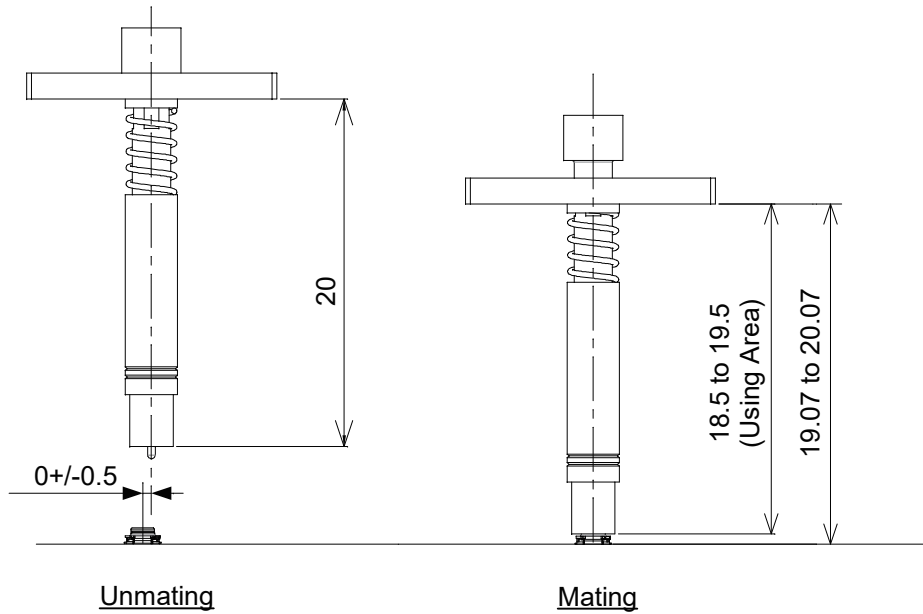
**RAPIDTEK**  
RF COAXIAL PROBE

Rapidtek Magnetic Devices Inc.  
http://www.rapidtek.net  
Tel : 02 - 8698 - 1068  
Fax : 02 - 8698 - 1018

17F, No.75, Sec. 1, Xintai 5th Rd., Xizhi Dist., New Taipei City 22101, Taiwan

TWN0200610060010  
Ver.01\_201802

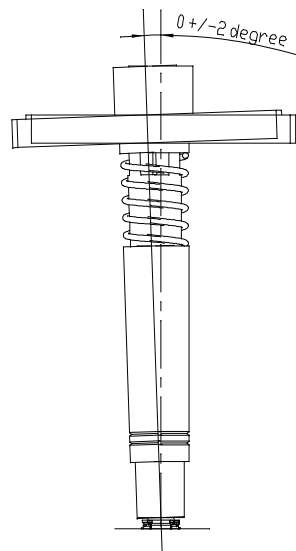
STANDARD DIMENSIONS



Unit:mm

AXIAL HORIZONTAL MISALIGNMENT DISTANCES

SPRING COMPRESSION DIMENSION IS 2.2mm Max.



AXIAL VERTICAL MISALIGNMENT ANGLE

RP-S417SWGR1



**RAPIDTEK**  
RF COAXIAL PROBE

Rapidtek Magnetic Devices Inc.  
<http://www.rapidtek.net>  
 Tel : 02 - 8698 - 1068  
 Fax : 02 - 8698 - 1018

17F, No.75, Sec. 1, Xintai 5th Rd, Xizhi Dist, New Taipei City 22101, Taiwan

## LIFE REPORT

### Lab Environmental Condition :

Temperture :  $25 \pm 5^{\circ}\text{C}$

Relative Humidity :  $\leq 50\% \text{ RH}$

Test Specification : 12 Times / Minute

Test Method : Compression  $1.0\text{mm} \pm 0.1\text{mm}$

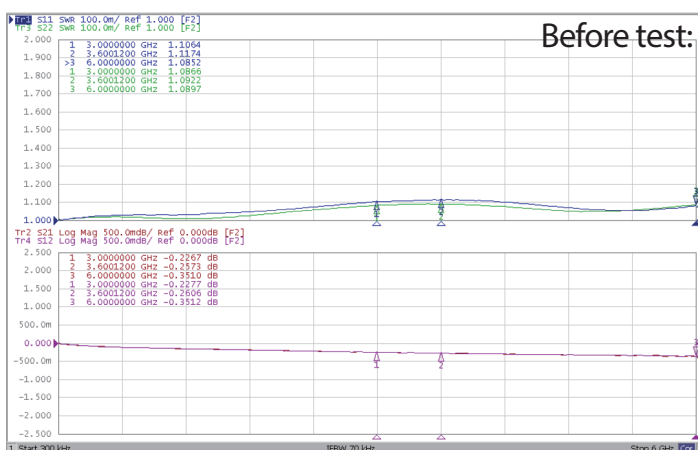
Durability : 250K cycles



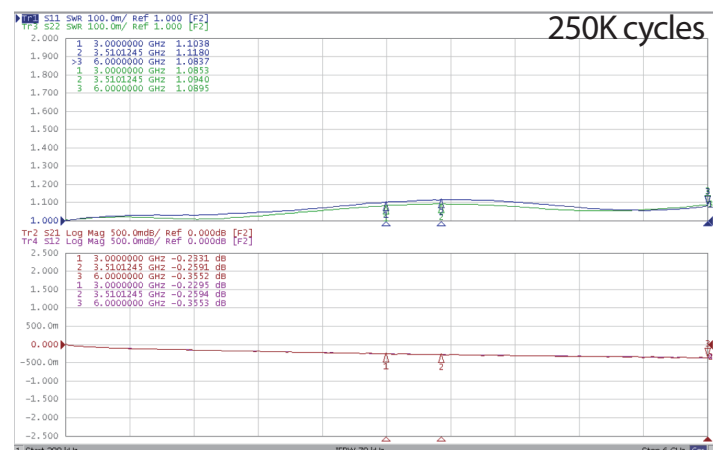
Insert & Withdrawal Equipment

### Result :

Before test:



250K cycles



**RAPIDTEK**  
RF COAXIAL PROBE

Rapidtek Magnetic Devices Inc.  
http://www.rapidtek.net  
Tel : 02 - 8698 - 1068  
Fax : 02 - 8698 - 1018

17F, No.75, Sec. 1, Xintai 5th Rd., Xizhi Dist., New Taipei City 22101, Taiwan

TWN0200610060010  
Ver.01\_201802