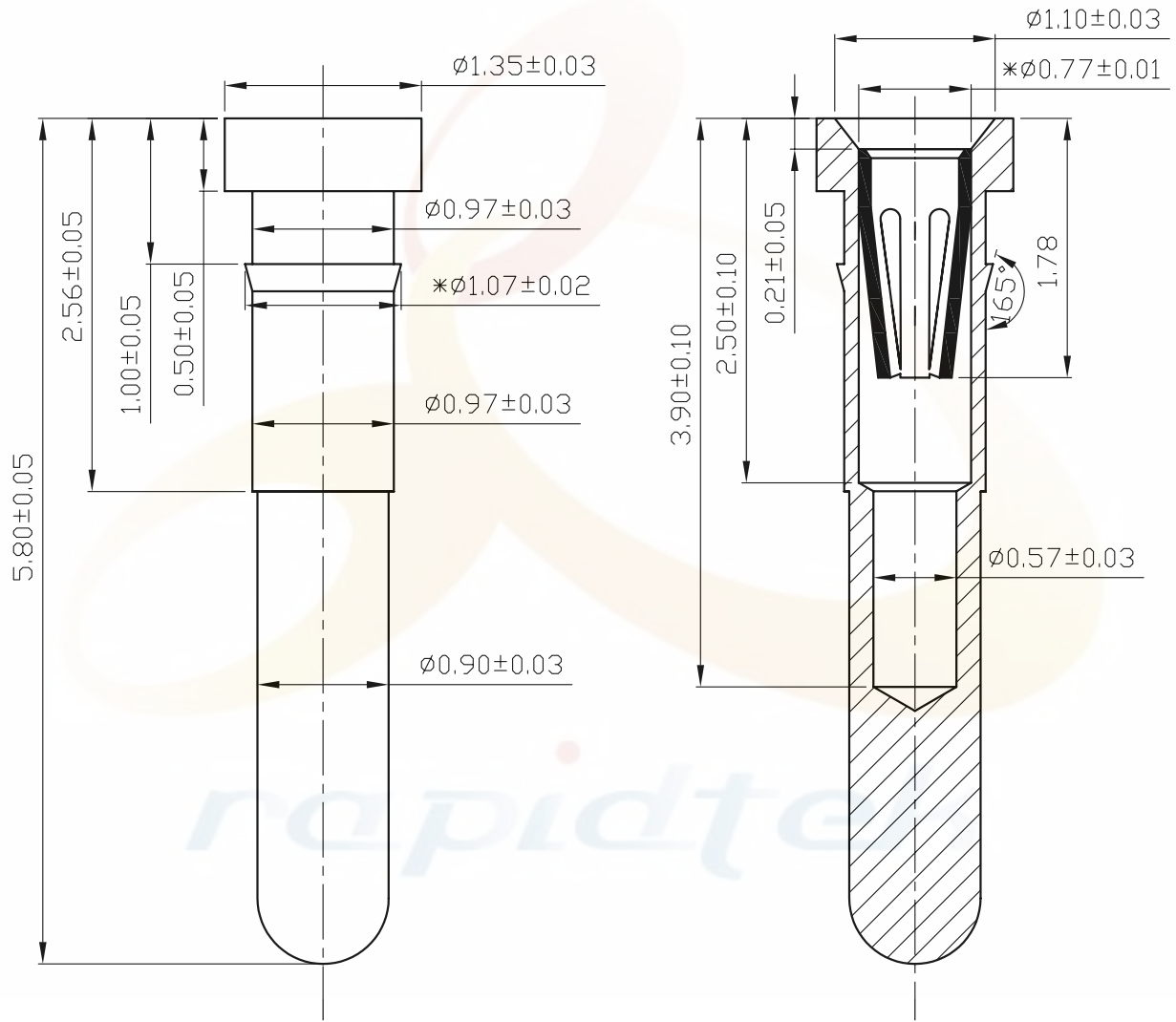


E					
D					
C					
B					
A			RELEASED		18/05-09
REV	ZONE	LTR	DESCRIPTION.	ECN.NO.	Date

技术要求:

1. 标注“\*”符号的为重点尺寸。



发行部门:

- 车床/采购
- 其他部门

Drawing By	Date	Units	mm	Scale	20:1					
		Tolerance Unless Otherwise Specified			Date	2010/05/18	Title	∅1.35x5.80圆孔PIN		
Check By	Date				Sheet	1 of 1				
		.X ~ ±0.30			Third Angle Projection			Drawing No.	P-135-0580-275	REV
		.XX ~ ±0.25						File Path	M/F/MA/GCTZ/CJP	A
		.XXX ~ ±0.20								
		Angle ~ ± 3°								