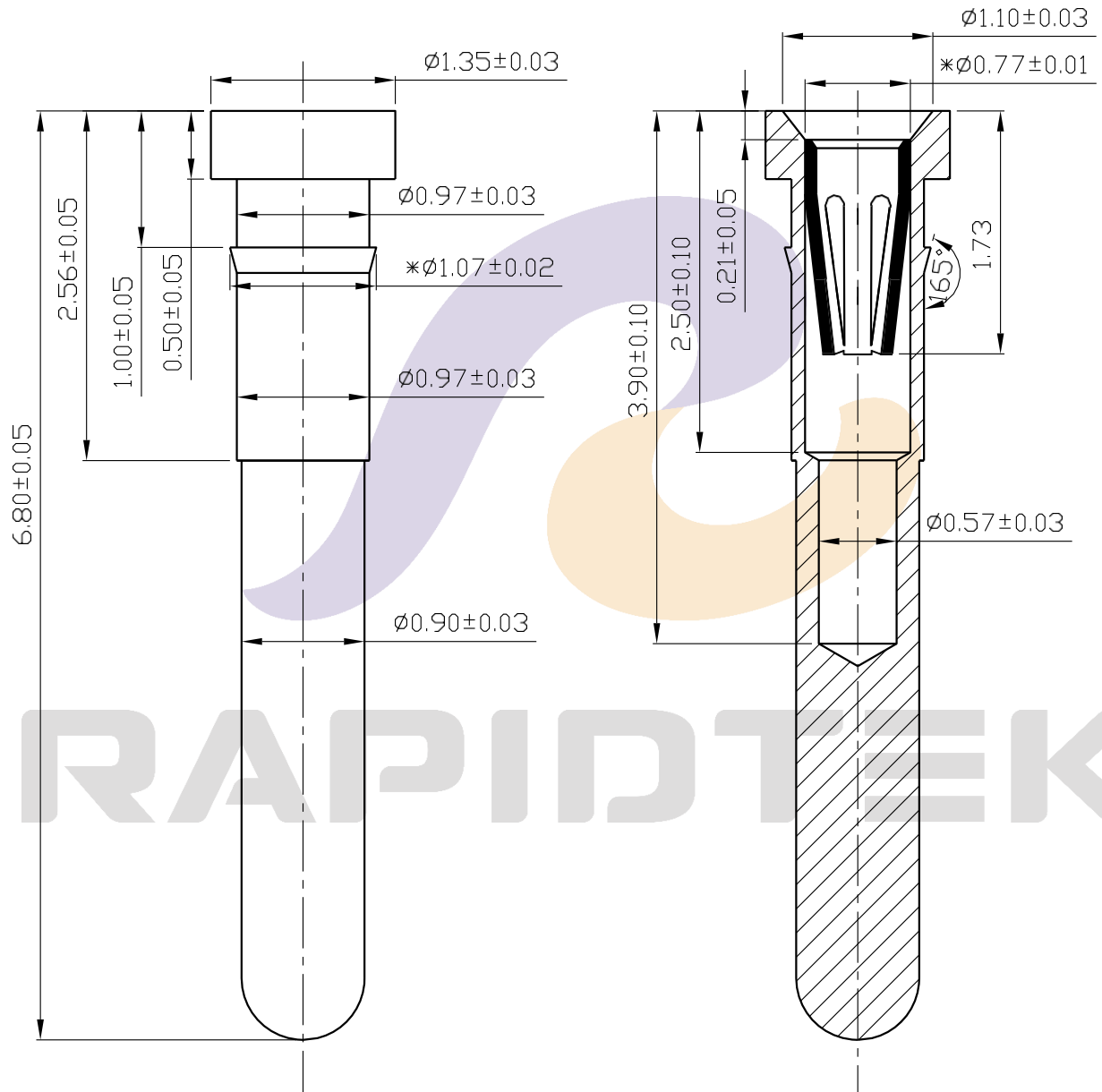


	A	B	C	D	E	F
1	E					
	D					
	C					
	B					
	A		RELEASED		18/02-14	
	REV	ZONE	LTR	DESCRIPTION.	ECN.NO.	Date

技术要求:

1. 标注“*”符号的为重点尺寸.
2. 材质: 黄铜 (H59-3).
3. 爪子代号为: DPA-3.
4. 镀层50u"镀金1u"



RAPIDTEK

Drawing By	Date	Units	mm	Scale	20:1	RAPIDTEK		
Check By	Date	Tolerance Unless Otherwise Specified			Date			2014/02/18
Approval By	Date	.X ~ ±0.30			Sheet	1 of 1	Title	∅1.35x6.80x∅0.77圆孔PIN(配美小六爪)
		.XX ~ ±0.25			Third Angle Projection			Drawing No.
		.XXX ~ ±0.20			File Path			REV
Angle ~ ± 3°						A		