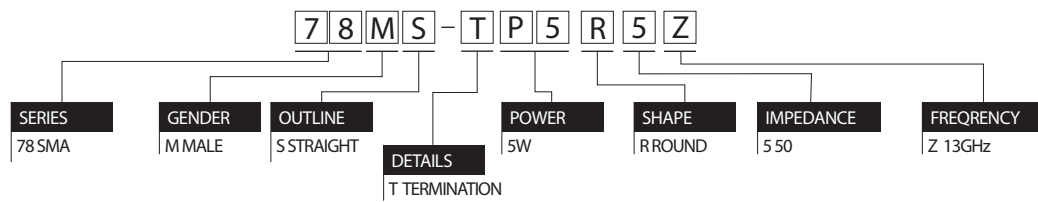


PART NUMBER DESCRIPTION



MATERIAL AND FINISH

	MATERIAL	FINISH
CENTER CONTACT	PHOSPHOR BRONZE	GOLD
INSULATOR	PTFE	
OUTER CONTACT	STAINLESS	PASSIVATED

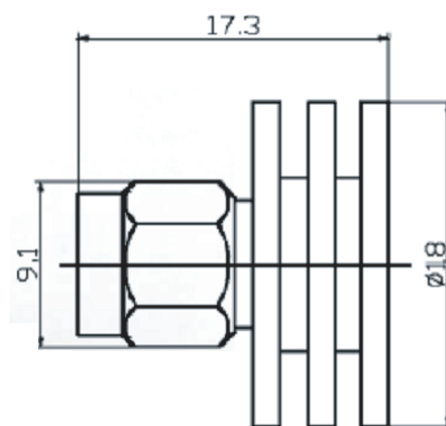
MECHANICAL

	TEST CONDITION	SPECIFICATIONS
FORCE TO ENGAGE	N/A	2 in-lbs Max
FORCE TO DISENGAGE	N/A	2 in-lbs Max
CONTACT RETENTION	60mm/min	6 lbs Min

ELECTRICAL

	TEST CONDITION	SPECIFICATIONS
IMPEDANCE	DC ~ 13 GHz	50 Ohms
VSWR	DC ~ 13 GHz	1.15 Max
POWER RATING	DC ~ 15 GHz	5W

STANDARD DIMENSIONS



RAPIDTEK
RF COAXIAL ADAPTOR