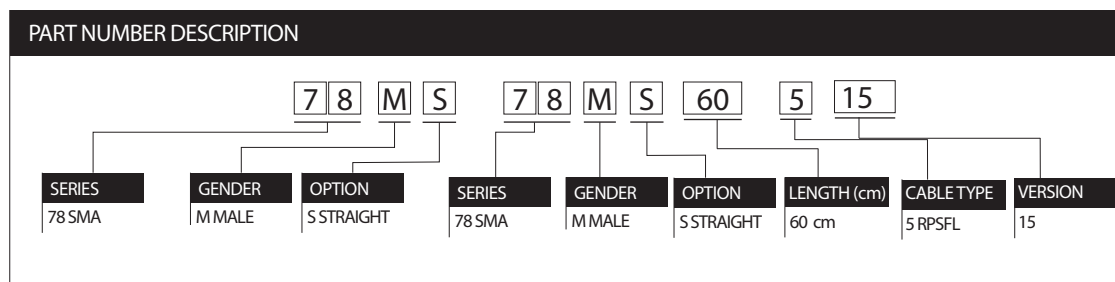


SMA (M) TO SMA (M) CABLE



MATERIAL AND FINISH

DETAIL

CABLE	5 RPSFL
CONNECTOR A	SMA MALE
CONNECTOR B	SMA MALE

MECHANICAL AND ENVIRONMENTAL

SPECIFICATIONS

NOMINAL OUTER DIAMETER	3.58 mm
MIN BEND RADIUS	9.53 mm
TEMPERATURE RANGE	-40 °C ~ 120 °C
GOLD THICKNESS	10um MAX.

ELECTRICAL

	TEST CONDITION	SPECIFICATIONS
IMPEDANCE	DC~ 18 GHz	50 Ohms
VSWR	DC~ 18 GHz	1.3 Max
INSERTION LOSS	DC~ 18 GHz	1.5 dB Max
RF LEAKAGE	DC~ 18 GHz	≧ - 90dB

CABLE



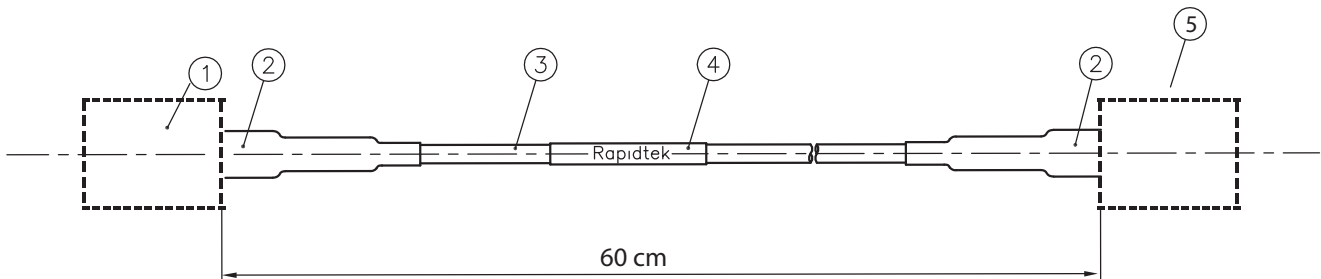
	Center Conductor	Dielectric	Outer Conductor	
Connector parts	Material			Diameter
Center Conductor	Solid, Silver Plated Copper Clad Steel Wire (SPCW)			0.92 mm
Dielectric	PTFE			2.95 mm
Outer Conductor	Copper			3.58 mm



RAPIDTEK
RF COAXIAL CABLE

Rapidtek Magnetic Devices Inc.
<http://www.rapidtek.net>
 Tel : 02 - 8698 - 1068
 Fax : 02 - 8698 - 1018
 17F, No.75, Sec. 1, Xintai 5th Rd., Xizhi Dist., New Taipei City 22101, Taiwan

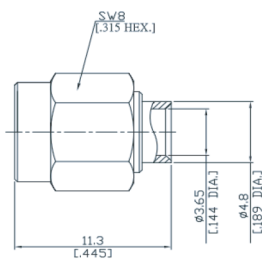
STANDARD DIMENSIONS



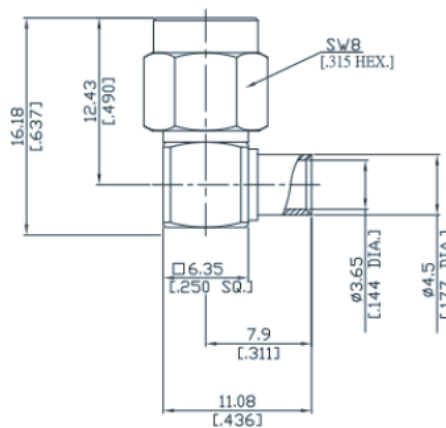
- 1 SMA (M) CONNECTOR
- 2 HEAT SHRINK TUBE
- 3 CABLE
- 4 LABEL
- 5 SMA (M) CONNECTOR

CONNECTOR

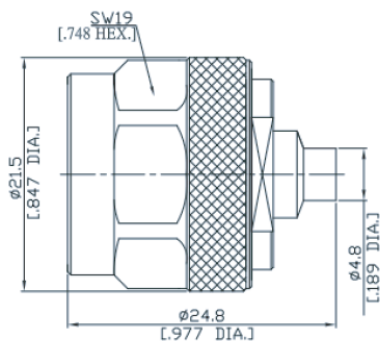
SMA Male



SMA Male
Right Angle



N Male



RAPIDTEK
RF COAXIAL CABLE

Rapidtek Magnetic Devices Inc.
<http://www.rapidtek.net>
 Tel : 02 - 8698 - 1068
 Fax : 02 - 8698 - 1018
 17F, No.75, Sec. 1, Xintai 5th Rd., Xizhi Dist., New Taipei City 22101, Taiwan