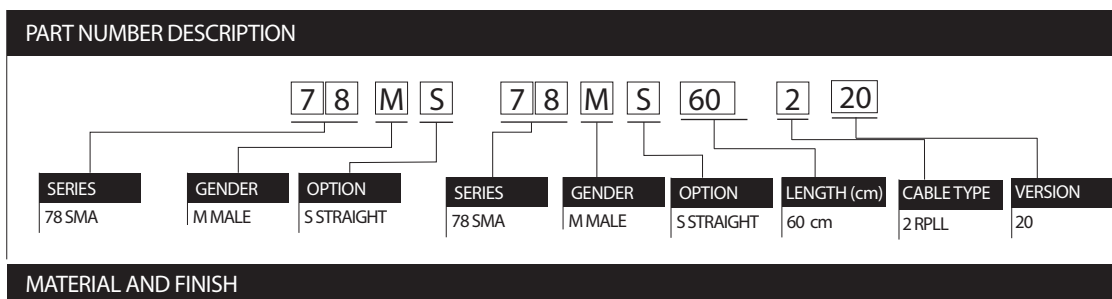


SMA (M) TO SMA (M) CABLE



MATERIAL AND FINISH

DETAIL

CABLE	RPLL
CONNECTOR A	SMA MALE
CONNECTOR B	SMA MALE

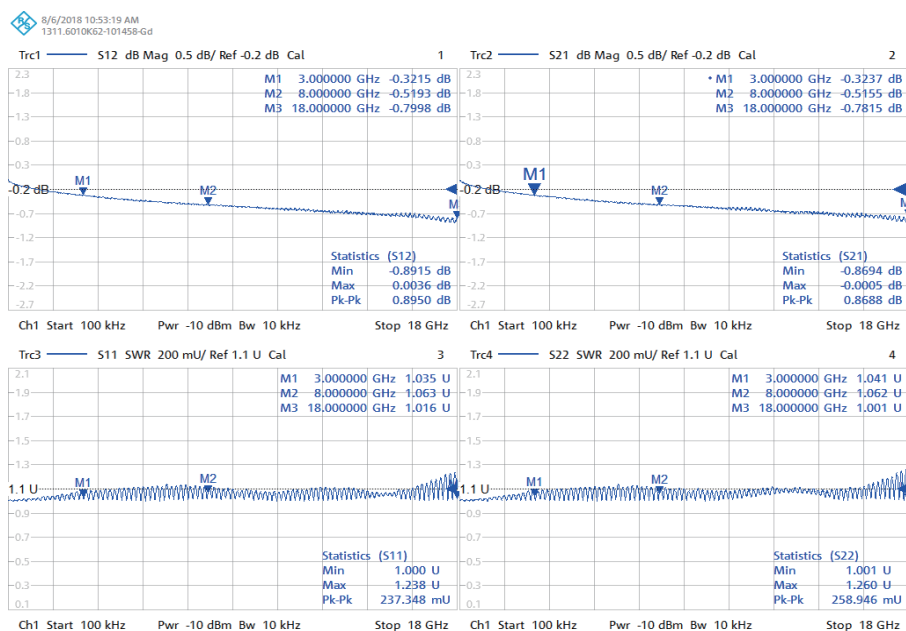
MECHANICAL AND ENVIRONMENTAL

SPECIFICATIONS

NOMINAL OUTER DIAMETER	5.70 mm
MIN BEND RADIUS	29.2 mm
TEMPERATURE RANGE	-55°C ~ 135°C

ELECTRICAL

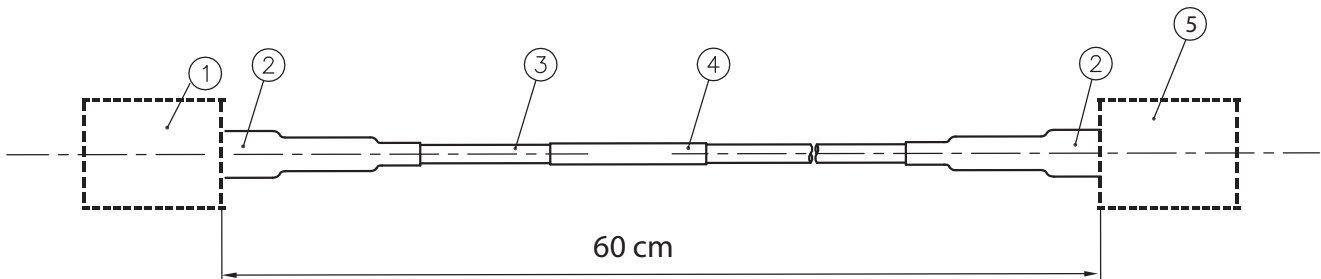
	TEST CONDITION	SPECIFICATIONS
IMPEDANCE	DC~ 18 GHz	50 Ohms
VELOCITY OF PROPAGATION	DC~ 18 GHz	77% nom.
TIME DELAY	DC~ 18 GHz	4.35 ns/m
RF LEAKAGE	DC~ 18 GHz	-100 dB
VSWR	DC~ 18 GHz	1.3 Max
INSERTION LOSS	DC~ 18 GHz	1.0 dB Max



RAPIDTEK
RF COAXIAL CABLE

Rapidtek Magnetic Devices Inc.
http://www.rapidtek.net
Tel : 02 - 8698 - 1068
Fax : 02 - 8698 - 1018
17F, No.75, Sec. 1, Xintai 5th Rd., Xizhi Dist., New Taipei City 22101, Taiwan

STANDARD DIMENSIONS



- 1 SMA (M) CONNECTOR
- 2 HEAT SHRINK TUBE
- 3 CABLE
- 4 LABEL
- 5 SMA (M) CONNECTOR

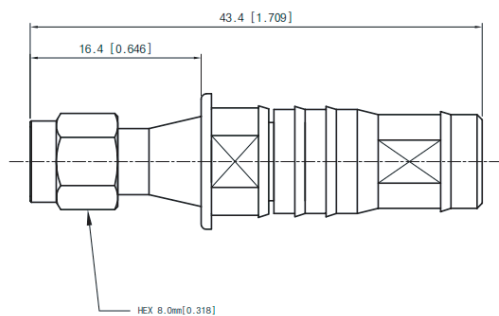
CABLE



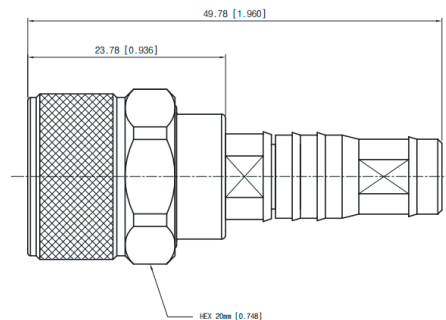
Center Conductor	Silver-plated copper wire, standed)	19 / 0.2 mm
Dielectric	Low density PTFE (extruded)	
Inner shield	Silver-plated copper tape	
Outer shield	Silver-plated copper braid	
Jacket	Extruded FEP	5.70 mm

CONNECTOR

SMA (M)



N (M)



RAPIDTEK
RF COAXIAL CABLE

Rapidtek Magnetic Devices Inc.
<http://www.rapidtek.net>
 Tel : 02 - 8698 - 1068
 Fax : 02 - 8698 - 1018

17F, No.75, Sec. 1, Xintai 5th Rd., Xizhi Dist., New Taipei City 22101, Taiwan