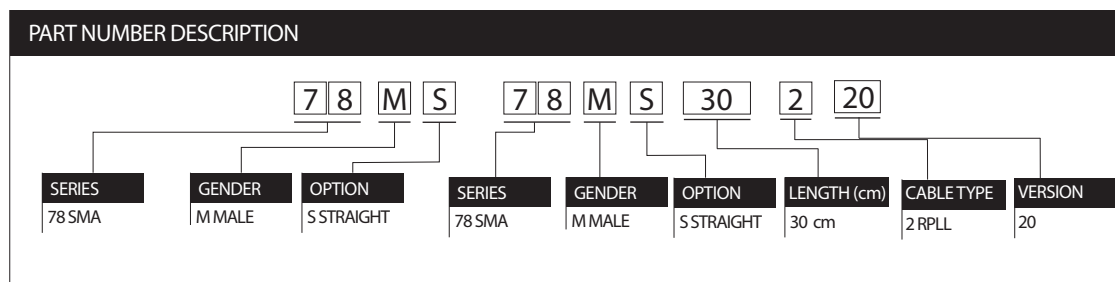


SMA (M) TO SMA (M) CABLE



**MATERIAL AND FINISH**

**DETAIL**

CABLE	RPLL
CONNECTOR A	SMA MALE
CONNECTOR B	SMA MALE

**MECHANICAL AND ENVIRONMENTAL**

	SPECIFICATIONS
NOMINAL OUTER DIAMETER	5.70 mm
MIN BEND RADIUS	29.2 mm
TEMPERATURE RANGE	-55°C ~ 135°C

**ELECTRICAL**

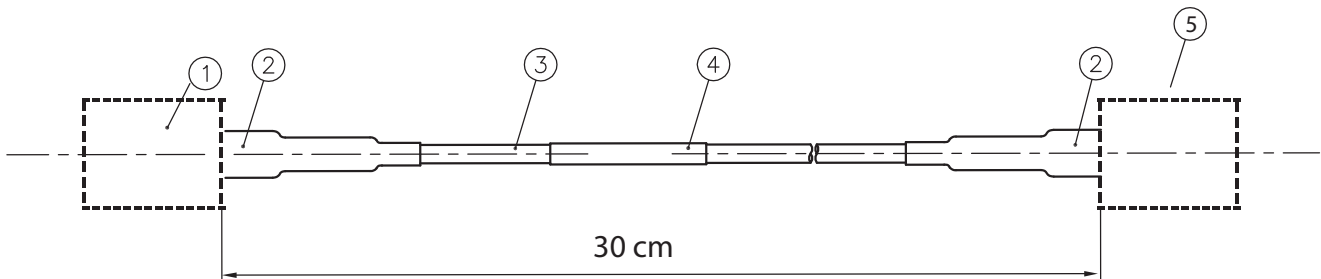
	TEST CONDITION	SPECIFICATIONS
IMPEDANCE	DC~ 18 GHz	50 Ohms
VSWR	DC~ 18 GHz	1.3 Max
INSERTION LOSS	DC~ 18 GHz	0.7 dB Max



**RAPIDTEK**  
RF COAXIAL CABLE

Rapidtek Magnetic Devices Inc.  
<http://www.rapidtek.net>  
 Tel : 02 - 8698 - 1068  
 Fax : 02 - 8698 - 1018  
 17F, No.75, Sec. 1, Xintai 5th Rd., Xizhi Dist., New Taipei City 22101, Taiwan

### STANDARD DIMENSIONS



- 1 SMA (M) CONNECTOR
- 2 HEAT SHRINK TUBE
- 3 CABLE
- 4 LABEL
- 5 SMA (M) CONNECTOR

Lable Mark  
 Line 1 : P/N - D/C  
 Line 2 : Rapidtek Website

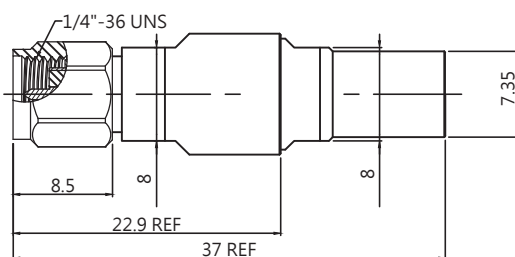
### CABLE



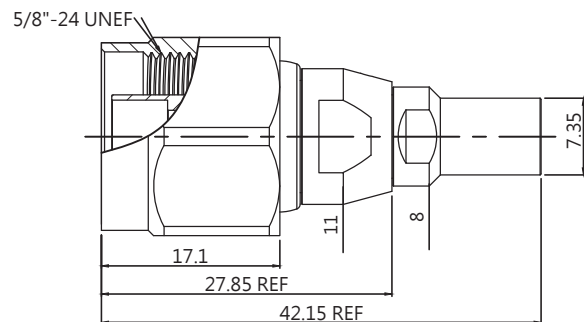
Center Conductor	Silver-plated copper wire, standed)	19 / 0.2 mm
Dielectric	Low density PTFE (extruded)	
Inner shield	Silver-plated copper tape	
Outer shield	Silver-plated copper braid	
Jacket	Extruded FEP	5.70 mm

### CONNECTOR

SMA (M)



N (M)



**RAPIDTEK**  
**RF COAXIAL CABLE**

Rapidtek Magnetic Devices Inc.  
<http://www.rapidtek.net>  
 Tel : 02 - 8698 - 1068  
 Fax : 02 - 8698 - 1018  
 17F, No.75, Sec. 1, Xintai 5th Rd., Xizhi Dist., New Taipei City 22101, Taiwan