

MATERIAL

	MATERIAL	FINISH
FEMALE CENTER CONTACT	BERYLLIUM COPPER	GOLD PLATED
MALE CENTER CONTACT	BERYLLIUM COPPER	GOLD PLATED
OUTER CONTACT	STAINLESS STEEL	PASSIVATED

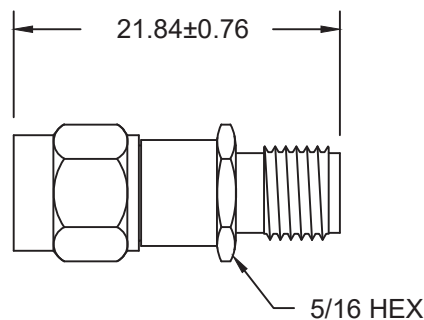
MECHANICAL AND ENVIRONMENTAL

	TEST CONDITION	SPECIFICATION
FORCE TO ENGAGE/DISENGAGE	N/A	2 in-lbs MAX
TEMPERATURE RANGE	N/A	-22°C TO +85°C

ELECTRICAL

	TEST CONDITION	SPECIFICATIONS
IMPEDANCE	DC~ 6 GHz	50 Ohms
VSWR	DC~ 6 GHz	1.2
ATTENUATION	DC~ 6 GHz	10
ATTENUATION TOLERANCE	DC~ 6 GHz	±0.5 dB
POWER RATING	DC~ 6 GHz	2 W (25°C) / 1.1 W (85°C)
PEAK POWER	DC~ 6 GHz	0.5kW (5µs pulse width with 0.5% duty cycle)

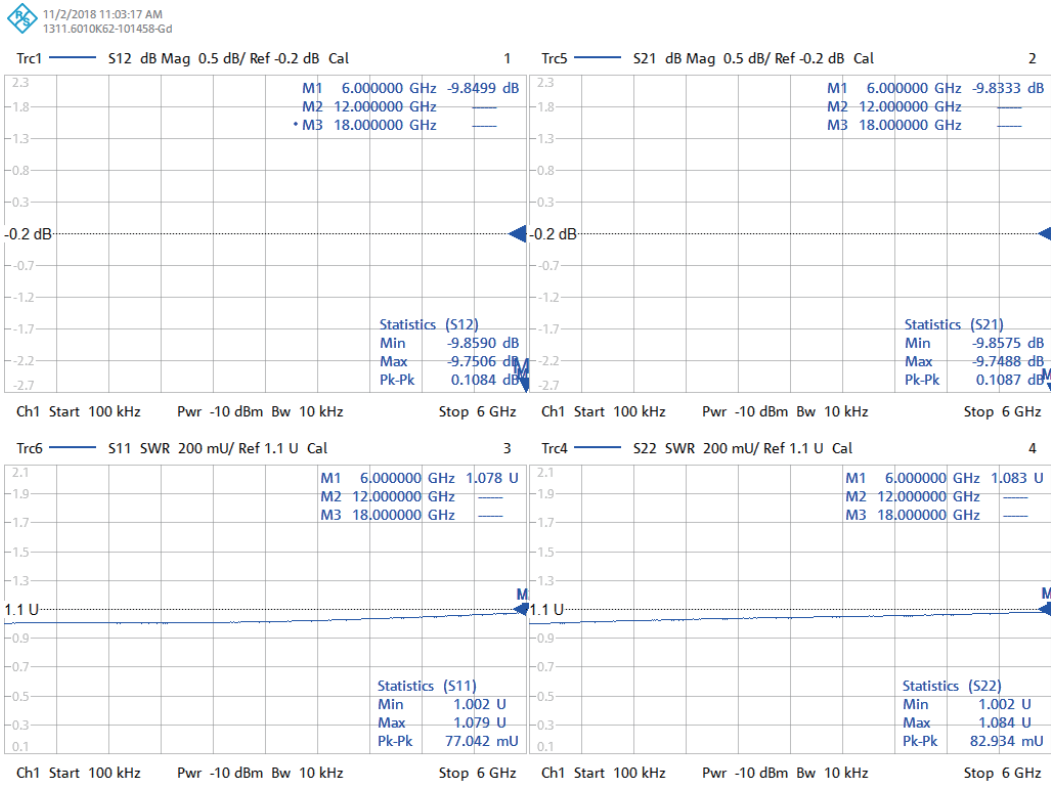
STANDARD DIMENSIONS



RAPIDTEK
RF COAXIAL PRODUCTS

Rapidtek Magnetic Devices Inc.
<http://www.rapidtek.net>
 Tel : 02 - 8698 - 1068
 Fax : 02 - 8698 - 1018
 17F, No.75, Sec. 1, Xintai 5th Rd., Xizhi Dist., New Taipei City 22101, Taiwan

TEST RESULT



78FS-78MSA10P2R5C-K



RAPIDTEK
RF COAXIAL PRODUCTS

Rapidtek Magnetic Devices Inc.
http://www.rapidtek.net
Tel: 02-8698-1068
Fax: 02-8698-1018
17F, No.75, Sec. 1, Xintai 5th Rd., Xizhi Dist., New Taipei City 22101, Taiwan