

MATERIAL AND FINISH

	MATERIAL	FINISH
CENTER CONTACT	BERYLLIUM COPPER	30μ" GOLD
INSULATOR	PTFE	WHITE
OUTER CONTACT	BRASS	3μ" GOLD

MECHANICAL

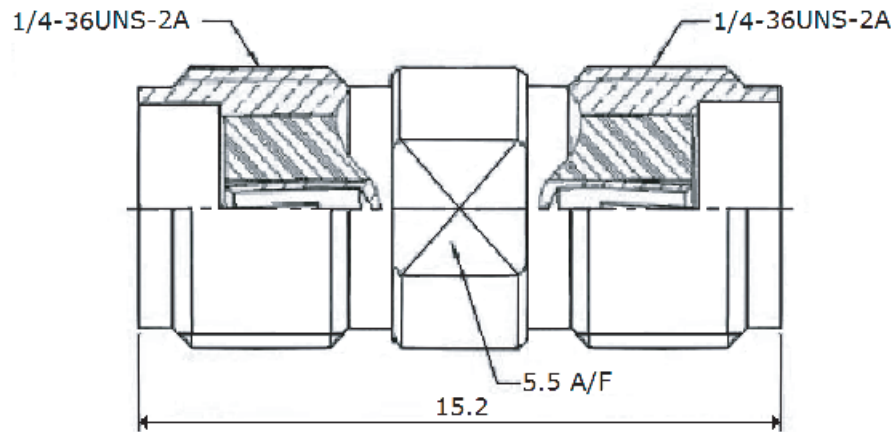
	TEST CONDITION	SPECIFICATIONS
FORCE TO ENGAGE/DISENGAGE	N/A	2 in-lbs Max
CONTACT RETENTION	60mm/min	6 lbs Min

ELECTRICAL

	TEST CONDITION	SPECIFICATIONS
IMPEDANCE	DC ~ 18 GHz	50 Ohms
VSWR	DC ~ 18 GHz	1.3 Max
INSERTION LOSS	DC ~ 18 GHz	0.1dB Max



STANDARD DIMENSIONS



78F-78FIS5C

