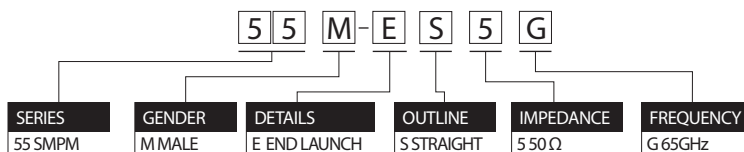


PART NUMBER DESCRIPTION



MATERIAL AND FINISH

	MATERIAL	FINISH
CENTER CONTACT	BERYLLIUM COPPER	5μ" GOLD
INSULATOR	TEFLON	WHITE
OUTER CONTACT	BRASS	5μ" GOLD

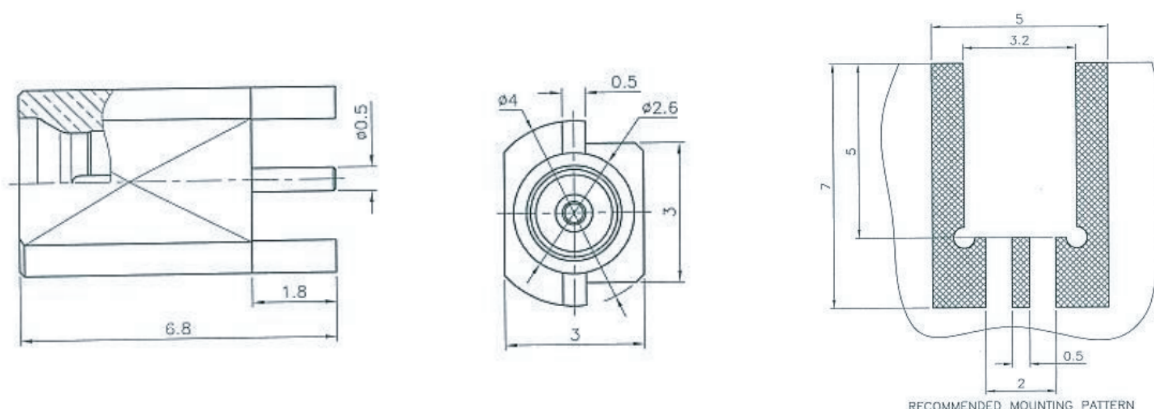
MECHANICAL

	TEST CONDITION	SPECIFICATIONS
FORCE TO ENGAGE	N/A	19N MAX
FORCE TO DISENGAGE	N/A	29N MAX
CENTER RETENTIONS	60mm/min	7N Min

ELECTRICAL

	TEST CONDITION	SPECIFICATIONS
IMPEDANCE	DC ~ 40 GHz	50 Ω
DIELECTRIC WITHSTANDING VOLTAGE	DC , TIME : 60 Sec (at sea level)	325 Vrms Min
CENTER CONTACT	DC 0.2V , 1 A	6mΩ Max
OUTER CONTACT	DC 0.2V , 1 A	2mΩ Max
INSULATION RESISTANCE	DC 500V , TIME : 60 Sec	5000MΩ Min

STANDARD DIMENSIONS



RAPIDTEK
RF COAXIAL PRODUCTS

Rapidtek Magnetic Devices Inc.
<http://www.rapidtek.net>
 Tel : 02 - 8698 - 1068
 Fax : 02 - 8698 - 1018
 17F, No.75, Sec. 1, Xintai 5th Rd., Xizhi Dist., New Taipei City 22101, Taiwan