

MATERIAL AND FINISH

	MATERIAL	FINISH
CENTER CONTACT	BERYLLIUM COPPER	30μ" GOLD
INSULATOR	PTFE	WHITE
OUTER CONTACT	STAINLESS STEEL	PASSIVATED
C RING	BERYLLIUM COPPER	NONE
SHELL	STAINLESS STEEL	PASSIVATED
GASKET	SILICONE	RED

MECHANICAL

	TEST CONDITION	SPECIFICATIONS
FORCE TO ENGAGE/DISENGAGE	N/A	2 in-lbs Max (SMA) 19 Max / 29N Max (SMPM)
CONTACT RETENTION	60mm/min	60 lbs Min (SMA)

ELECTRICAL

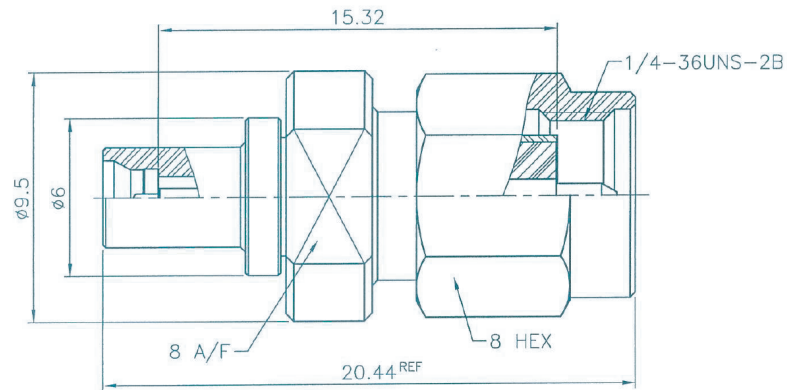
	TEST CONDITION	SPECIFICATIONS
IMPEDANCE	DC ~ 18 GHz	50 Ohms
VSWR	DC ~ 18 GHz	1.23 Max
INSERTION LOSS	DC ~ 18 GHz	0.1dB Max



RAPIDTEK
RF COAXIAL ADAPTOR

Rapidtek Magnetic Devices Inc.
<http://www.rapidtek.net>
 Tel : 02 - 8698 - 1068
 Fax : 02 - 8698 - 1018
 17F, No.75, Sec. 1, Xintai 5th Rd., Xizhi Dist., New Taipei City 22101, Taiwan

STANDARD DIMENSIONS



55M-78MIS5C



RAPIDTEK
RF COAXIAL ADAPTOR

Rapidtek Magnetic Devices Inc.
<http://www.rapidtek.net>
Tel : 02 - 8698 - 1068
Fax : 02 - 8698 - 1018
17F, No.75, Sec. 1, Xintai 5th Rd., Xizhi Dist., New Taipei City 22101, Taiwan

TWN020064600011
Ver.01_20170103