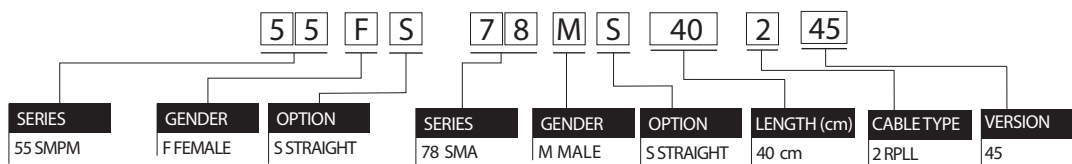


PART NUMBER DESCRIPTION



MATERIAL AND FINISH

	DETAIL
CABLE	RPLL
CONNECTOR A	SM55 FEMALE
CONNECTOR B	SMA MALE

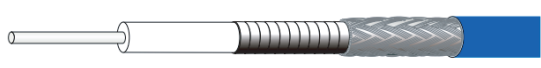
MECHANICAL AND ENVIRONMENTAL

	SPECIFICATIONS
NOMINAL OUTER DIAMETER	2.64 mm
MIN BEND RADIUS	12.7 mm
TEMPERATURE RANGE	-55 °C ~ 155 °C

ELECTRICAL

	TEST CONDITION	SPECIFICATIONS
IMPEDANCE	DC~ 6 GHz	50 Ohms
VSWR	DC~ 6 GHz	1.3 Max
INSERTION LOSS	DC~ 6 GHz	1.4 dB Max

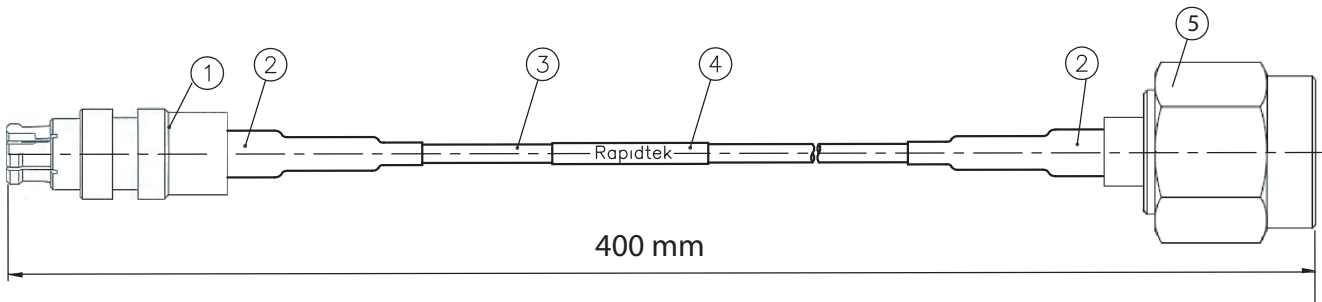
CABLE



Connector parts	Material	Diameter
Inner Conductor	Copper Silver plated	0.51 mm
Dielectric	PTFE	1.63 mm
Foil	Copper Silver plated	1.80 mm
Braid	Copper Silver plated	2.18 mm
Jacket	FEP	2.64 mm



STANDARD DIMENSIONS

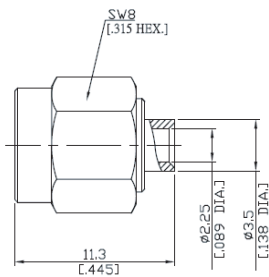


- 1 SMPM (F) CONNECTOR
- 2 HEAT SHRINK TUBE
- 3 CABLE
- 4 LABEL
- 5 SMA (M) CONNECTOR

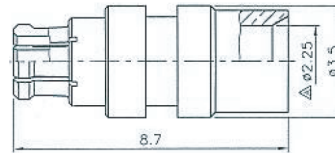
Label Mark
 Line 1 : P/N - D/C
 Line 2 : Rapidtek Website

CONNECTOR

SMA Male



SMPM Female



RAPIDTEK
RF COAXIAL CABLE

Rapidtek Magnetic Devices Inc.
<http://www.rapidtek.net>
 Tel : 02 - 8698 - 1068
 Fax : 02 - 8698 - 1018
 17F, No.75, Sec. 1, Xintai 5th Rd., Xizhi Dist., New Taipei City 22101, Taiwan