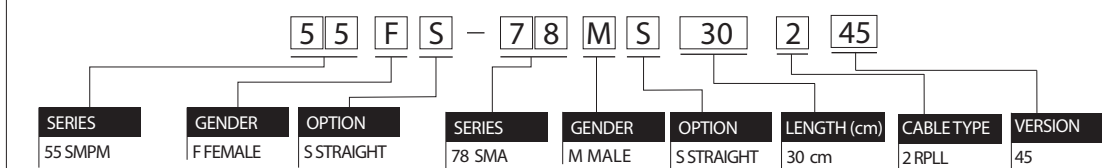


## PART NUMBER DESCRIPTION



## MATERIAL AND FINISH

	DETAIL
CABLE	RPLL
CONNECTOR A	SMPM FEMALE
CONNECTOR B	SMA MALE


## MECHANICAL AND ENVIRONMENTAL

	SPECIFICATIONS
NOMINAL OUTER DIAMETER	2.64 mm
MIN BEND RADIUS	12.7 mm
TEMPERATURE RANGE	-55 °C ~ 155 °C

## ELECTRICAL

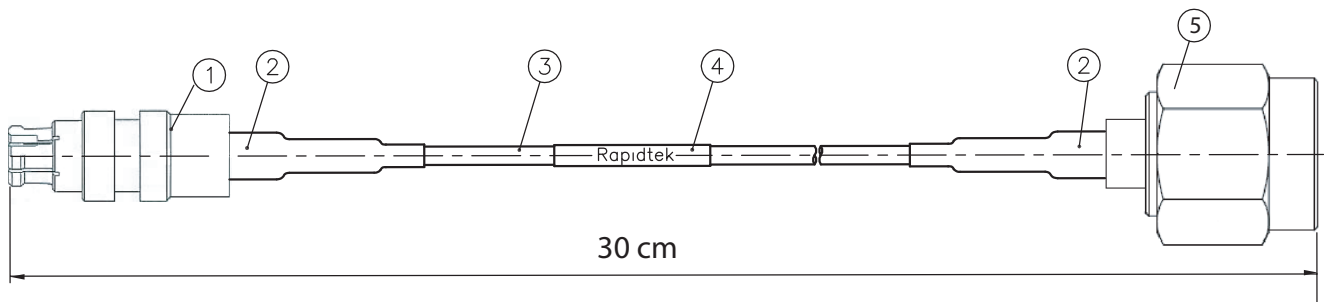
	TEST CONDITION	SPECIFICATIONS
IMPEDANCE	DC~ 6 GHz	50 Ohms
VSWR	DC~ 6 GHz	1.3 Max
INSERTION LOSS	DC~ 6 GHz	1.0 dB Max
DIELECTRIC WITHSTANDING VOLTAGE	DC, TIME:60SEC	500 Vrms Min
INSULATION RESISTANCE	DC 500V, TIME 60SEC	5000 Mohms Min

## CABLE

	Connector parts	Material	Diameter
	Inner Conductor	Copper Silver plated	0.51 mm
	Dielectric	PTFE	1.63 mm
	Foil	Copper Silver plated	1.80 mm
	Braid	Copper Silver plated	2.18 mm
	Jacket	FEP	2.64 mm



### STANDARD DIMENSIONS

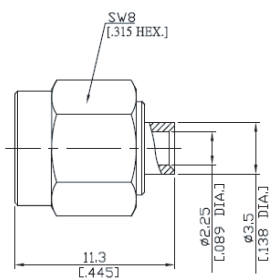


- 1 SMPM (F) CONNECTOR
- 2 HEAT SHRINK TUBE
- 3 CABLE
- 4 LABEL
- 5 SMA (M) CONNECTOR

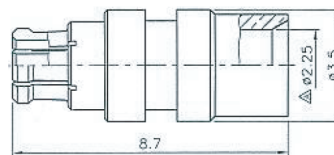
Label Mark  
 Line 1 : P/N - D/C  
 Line 2 : Rapidtek Website

### CONNECTOR

SMA Male



SMPM Female



**RAPIDTEK**  
**RF COAXIAL CABLE**

Rapidtek Magnetic Devices Inc.  
<http://www.rapidtek.net>  
 Tel : 02 - 8698 - 1068  
 Fax : 02 - 8698 - 1018  
 17F, No.75, Sec. 1, Xintai 5th Rd., Xizhi Dist., New Taipei City 22101, Taiwan