

**MATERIAL**

	DETAIL
CABLE	RPSF
CONNECTOR A	SMPM R/A FEMALE
CONNECTOR B	MHF1 R/A MALE

**MECHANICAL AND ENVIRONMENTAL**

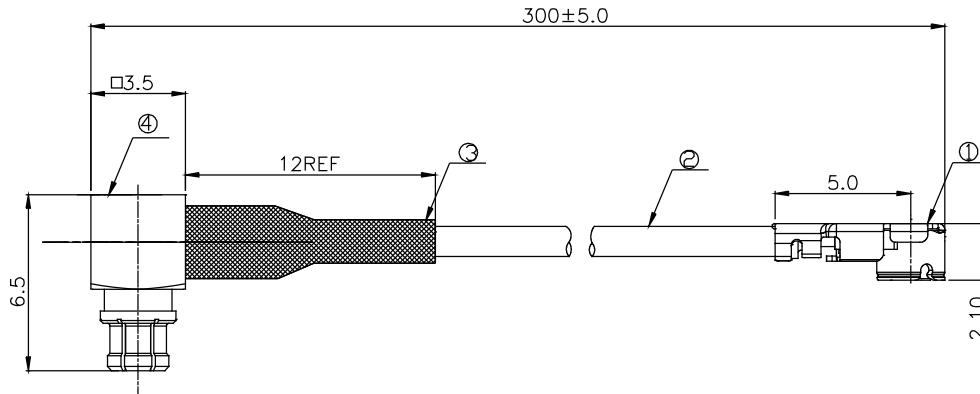
	SPECIFICATIONS
NOMINAL OUTER DIAMETER	1.13 mm
CRIMP FORCE	>15N
CABLE COLOR	BLACK

**ELECTRICAL**

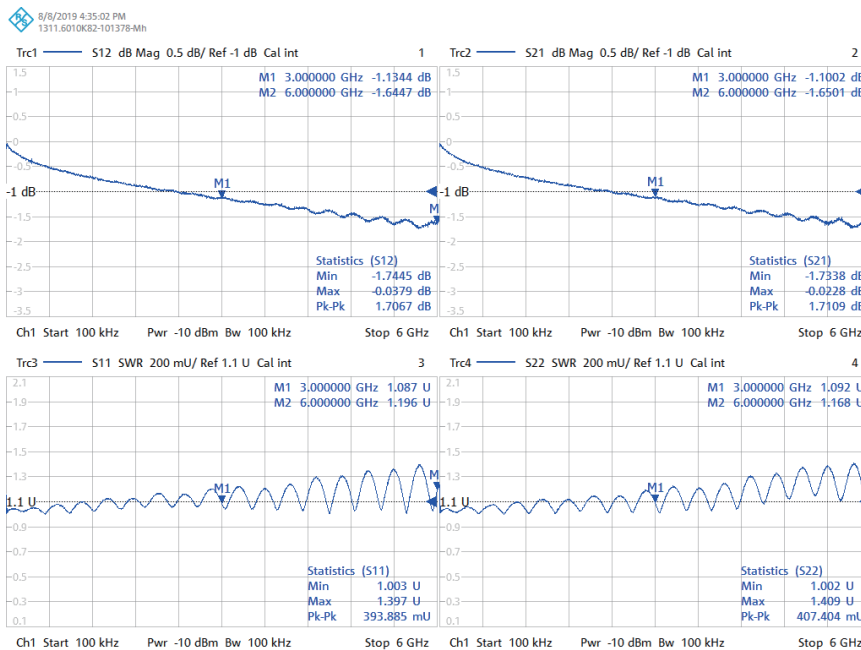
	TEST CONDITION	SPECIFICATIONS
IMPEDANCE	DC~ 6 GHz	50 Ohms
VSWR	DC~ 3 GHz	1.3 Max
	3~ 6 GHz	1.5 Max
INSERTION LOSS	DC ~ 6GHz	2.0 dB Max
INSULATION RESISTANCE	DC 100V	200 MΩ
CONDUCTIVE RESISTANCE	N/A	1 Ω
WITHSTANDING VOLTAGE	N/A	AC 200V



STANDARD DIMENSIONS ( Unit : mm )



55FR-56MR30114



**RAPIDTEK**  
RF COAXIAL CABLE

Rapidtek Magnetic Devices Inc.  
http://www.rapidtek.net  
Tel : 02 - 8698 - 1068  
Fax : 02 - 8698 - 1018

17F, No.75, Sec. 1, Xintai 5th Rd., Xizhi Dist., New Taipei City 22101, Taiwan