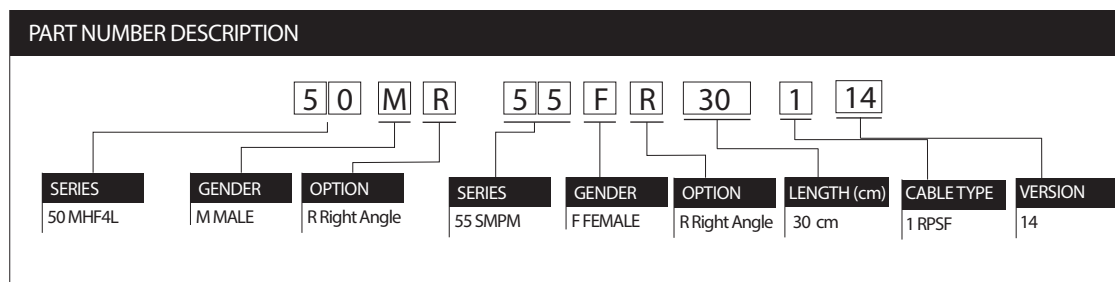


## MHF4L to SMPM R/A (F) CABLE



**MATERIAL**

	DETAIL
CABLE	RPSF
CONNECTOR A	MHF4L R/A MALE
CONNECTOR B	SMPM R/A FEMALE

**MECHANICAL AND ENVIRONMENTAL**

	SPECIFICATIONS
NOMINAL OUTER DIAMETER	1.13 mm
CRIMP FORCE	>15N
CABLE COLOR	BLACK
DURABILITY	30 cycles

**ELECTRICAL**

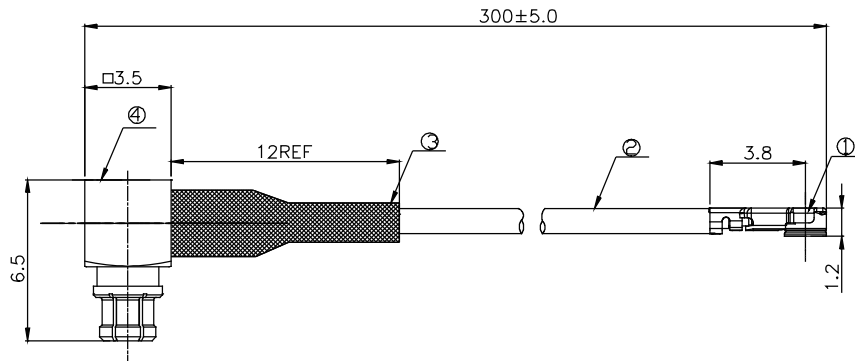
	TEST CONDITION	SPECIFICATIONS
IMPEDANCE	DC~ 6 GHz	50 Ohms
VSWR	DC~ 3 GHz	1.3 Max
	3~ 6 GHz	1.5 Max
INSERTION LOSS	DC ~ 3 GHz	1.3 dB Max
	3~ 6 GHz	2.0 dB Max
INSULATION RESISTANCE	DC 100V	200 MΩ
CONDUCTIVE RESISTANCE	N/A	1 Ω
WITHSTANDING VOLTAGE	N/A	AC 200V



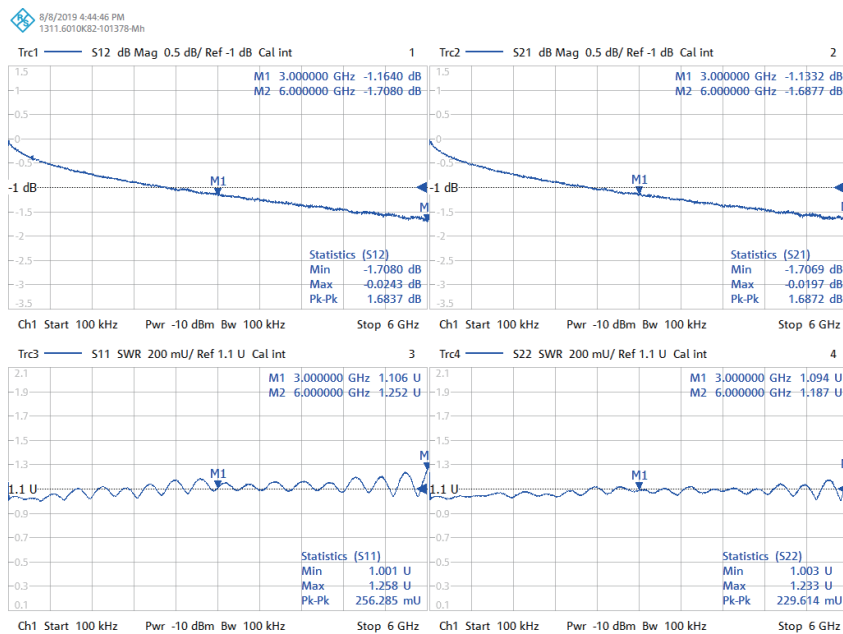
**RAPIDTEK**  
RF COAXIAL CABLE

Rapidtek Magnetic Devices Inc.  
<http://www.rapidtek.net>  
 Tel : 02 - 8698 - 1068  
 Fax : 02 - 8698 - 1018  
 17F, No.75, Sec. 1, Xintai 5th Rd., Xizhi Dist., New Taipei City 22101, Taiwan

STANDARD DIMENSIONS ( Unit : mm )



50MR-55FR30114



RAPIDTEK  
RF COAXIAL CABLE

Rapidtek Magnetic Devices Inc.  
http://www.rapidtek.net  
Tel : 02 - 8698 - 1068  
Fax : 02 - 8698 - 1018

17F, No.75, Sec. 1, Xintai 5th Rd., Xizhi Dist., New Taipei City 22101, Taiwan